

# NVR301-LS3-P8

## Key Features

- Support Ultra 265/H.265/H.264 video formats
- 8/16-channel input
- Plug & Play with 8 independent PoE network interfaces
- Support mainstream cameras of ONVIF conformance(Profile S, Profile G, Profile T ) and RTSP protocols
- Support 1-ch HDMI, 1-ch VGA, HDMI at up to 4K(3840x2160) resolution
- HDMI and VGA simultaneous output
- Up to 4K resolution recording
- 1 SATA HDD up to 6TB
- Support cloud upgrade

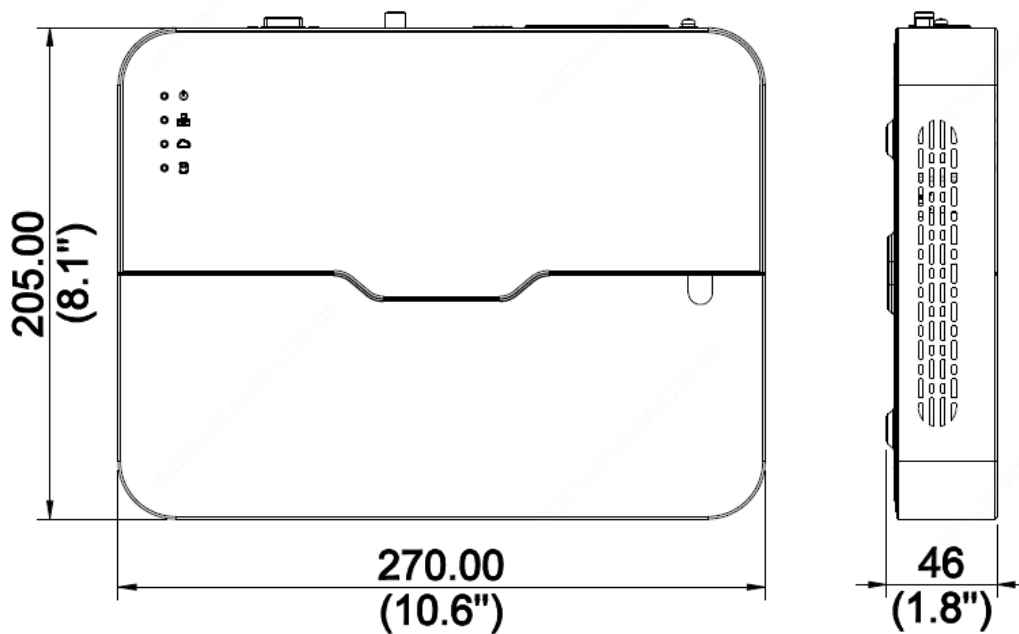
## Specifications

Model	NVR301-08LS3-P8	NVR301-16LS3-P8
Video/Audio Input		
IP Video Input	8-ch	16-ch
Network		
Incoming Bandwidth	64Mbps	
Outgoing Bandwidth	48Mbps	
Remote Users	128	
Protocols	TCP/IP, P2P, UPnP, NTP, DHCP, PPPoE, HTTP, HTTPS, DNS, DDNS, SMTP	
Video/Audio Output		
HDMI/VGA Output	HDMI: 4K(3840x2160)/30Hz, 1920x1080/60Hz, 1920x1080/50Hz, 1600x1200/60Hz, 1280x1024/60Hz, 1280x720/60Hz,	

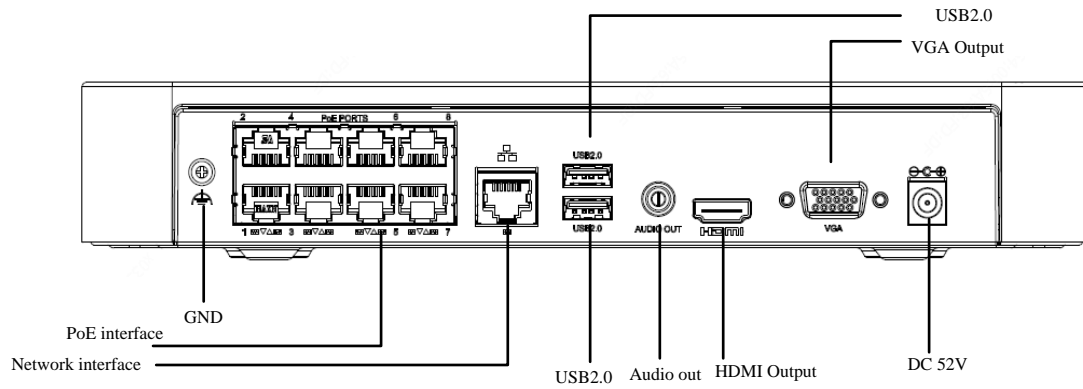
	1024x768/60Hz VGA: 1920x1080/60Hz, 1920x1080/50Hz, 1600x1200/60Hz, 1280x1024/60Hz, 1280x720/60Hz, 1024x768/60Hz	
Recording Resolution	4K/5MP/4MP/3MP/1080p/960p/720p/D1/2CIF/CIF	
Audio Output	1-ch, RCA	
Audio Compression	G.711A, G.711U	
Synchronous Playback	8-ch	16-ch
Liveview display	1/4/6/8/9	1/4/6/8/9/16
Corridor Mode Screen	3/4/5/7/9	3/4/5/7/9/10/12/16
<b>Snapshot</b>		
FTP/Schedule/Event Snapshot	1-ch snapshot, up to D1 resolution	
<b>Decoding</b>		
Decoding format	Ultra 265/H.265/H.264	
Liveview/Playback	4K/5MP/4MP/3MP/1080p/960p/720p/D1/2CIF/CIF	
Capability	1 x 4K@30, 4 x 5MP@25, 4 x 4MP@25, 4 x 3MP@25, 4 x 1080p@30, 8 x 720p@30	1 x 4K@30, 4 x 5MP@25, 4 x 4MP@25, 4 x 3MP@25, 4 x 1080p@30, 8 x 720p@30, 16 x D1@25
<b>Hard Disk</b>		
SATA	1 SATA interface	
Capacity	up to 6TB for each disk	
<b>Smart</b>		
VCA Detection by Camera	Intrusion Detection, Cross Line Detection, Enter Area, Leave Area, Audio Detection, Ultra Motion Detection(UMD)	
VCA Search	Face Search, Behavior Search	
Smart Intrusion Prevention (SIP), UMD by Camera	Total 4-ch	
<b>General Alarm</b>		
General Alarm	Motion, Tampering, Human Body Detection, Video Loss, Alarm Input	
Alert Alarm	IP Conflict, Network Disconnected, Disk Offline , Disk Abnormal, Illegal Access, Hard Disk Space Low, Hard Disk Full, Recording/Snapshot Abnormal	
<b>External Interface</b>		
Network Interface	1 RJ45 10M/100M self-adaptive Ethernet Interface	
USB Interface	Rear panel: 2 x USB2.0	
RS232	NA	
RS485	NA	
Alarm In	NA	
Alarm Out	NA	
<b>PoE</b>		
Interface	8 RJ45 10M/100M self-adaptive Ethernet Interface	
Max Power	Max 30W for single port Max 75W in total	
Supported Standard	IEEE 802.3at, IEEE 802.3af	

General	
Power Supply	52V DC Power Consumption: ≤9 W (without HDD)
Working Environment	-10°C ~ + 55°C (+14°F ~ +131°F), Humidity ≤ 90% RH (non-condensing)
Dimensions (W×D×H)	270mm × 205mm × 46mm (10.6"×8.1"×1.8")
Weight (without HDD)	≤0.8 kg (1.76 lb)
Certification	
Certification	CE, FCC, UL, RoHS, WEEE
CE	EN 55032: 2015, EN 61000-3-3: 2013, EN IEC 61000-3-2: 2019, EN 55035: 2017
FCC	Part15 Subpart B, ANSI C63.4

## Dimensions



## Rear Panel



### Zhejiang Uniview Technologies Co., Ltd.

Building No.10, Wanlun Science Park, Jiangling Road 88, Binjiang District, Hangzhou, Zhejiang, China

Email: [overseasbusiness@uniview.com](mailto:overseasbusiness@uniview.com); [globalsupport@uniview.com](mailto:globalsupport@uniview.com)

<http://www.uniview.com>

©2020 -2022 Zhejiang Uniview Technologies Co., Ltd. All rights reserved.

\* Product specifications and availability are subject to change without notice.